

Wall Art






ASSEMBLY INSTRUCTIONS

JOON LOLOI

ASSEMBLY INSTRUCTIONS

Read these instructions carefully and keep for future reference. Refer to parts inventory for guidance, and ensure you have all pieces before starting. When assembling, place all parts on a soft, clean, and flat surface such as a carpet to prevent scratches.

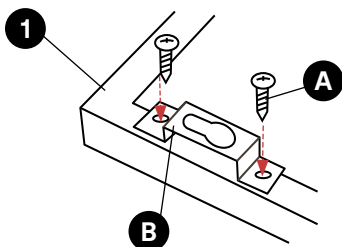
PARTS INVENTORY		
ID	DESCRIPTION	QTY
1	ARTWORK IN FRAME	1

HARDWARE INVENTORY			
ID	IMAGE	DESCRIPTION	QTY
A		BRACKET SCREW	4
B		BRACKET	2
C		WALL MARKER	2
D		LEVEL	1
E		BUMPER	1

*Parts not included: Screwdriver, Drill, Nails, Hammer, Pencil.

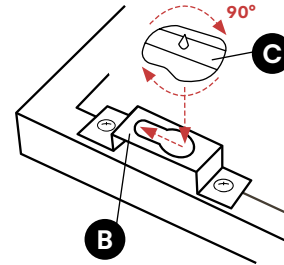
STEP 1

Attach **BRACKETS (B)** to the back of the **FRAME (1)** with **SCREWS (A)**.



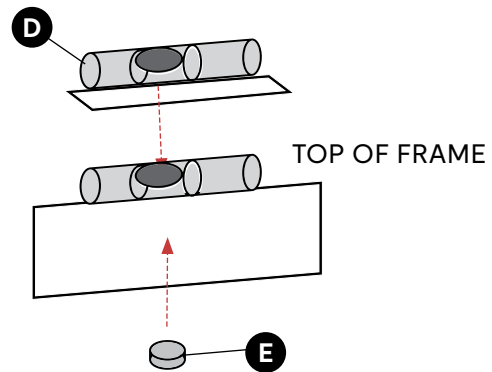
STEP 2

Insert **MARKERS (C)** into each **BRACKET (B)**.



STEP 3

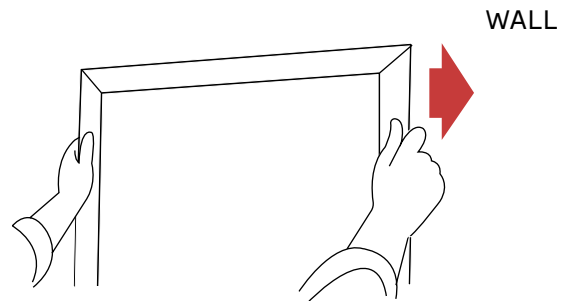
Attach the **LEVEL (D)** and **BUMPER (E)** to the **FRAME (1)**.



JOON LOLOI

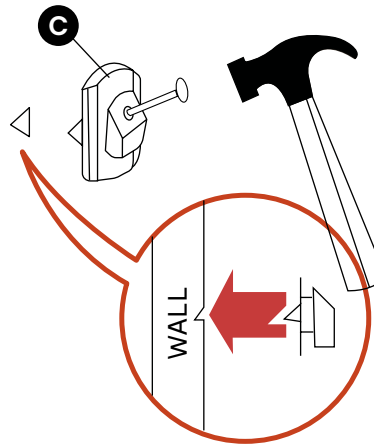
STEP 4

Determine desired location, make sure frame is level and press firmly against wall to make 2 dimple marks.



STEP 5

Match the **MARKER (C)** up with the corresponding dimple on the wall you made in **STEP 4**, then nail each **MARKER (C)** to wall.



STEP 6

And hang the **ARTWORK (1)** on the **MARKERS (C)** on the wall.

